

# Acts Of Kindness Food Pantry Plans Drawn by Ron Oxner



Obviously -plans can be modified - can make it smaller - taller - shorter - whatever works for your situation

# AOK Food Pantry

## Material List

Possibly use melamine for shelves - easier to clean

3 sheets of 3/4in plywood good one side exterior grade for pantry and shelves

1 pressure treated 2x4 8 feet long, for skids on frame

7 spruce 2x4 8 feet long, for frame.

5 asphalt shingles

A few pounds of 3/4 inch roofing nails

3x4 foot piece of cool gray or similar roof sealant

Small amount of roofing cement

1 or 2 tubes paintable caulking

Nails and screws to assemble

Carpenters glue

4 hinges 3-1/2 inch

4 carriage bolts 1-1/2 inch with lock washer and nut, reinforcement of hinges 50

foot solar rope light kit (Amazon) - optional -

25 plastic cable fasteners to hold the solar lights in place

2 metal door handles 5 inches long

1 sliding bolt latch

2 magnetic door latches, suggest 20-lb pull (Home Hardware #2307-512)

A dozen glazier points, brads or small screws to hold plexiglass in place.

2 pieces of 1/8 inch plexiglass 35x15 inches (Discount at E&J's Millworks)

2 pieces of flat chain for door safety chains, about 11 inches each.

4L of white paint exterior

2L of Kubota orange paint

2 paint brushes

2 patio stones 24x24 inch, to weight the frame down

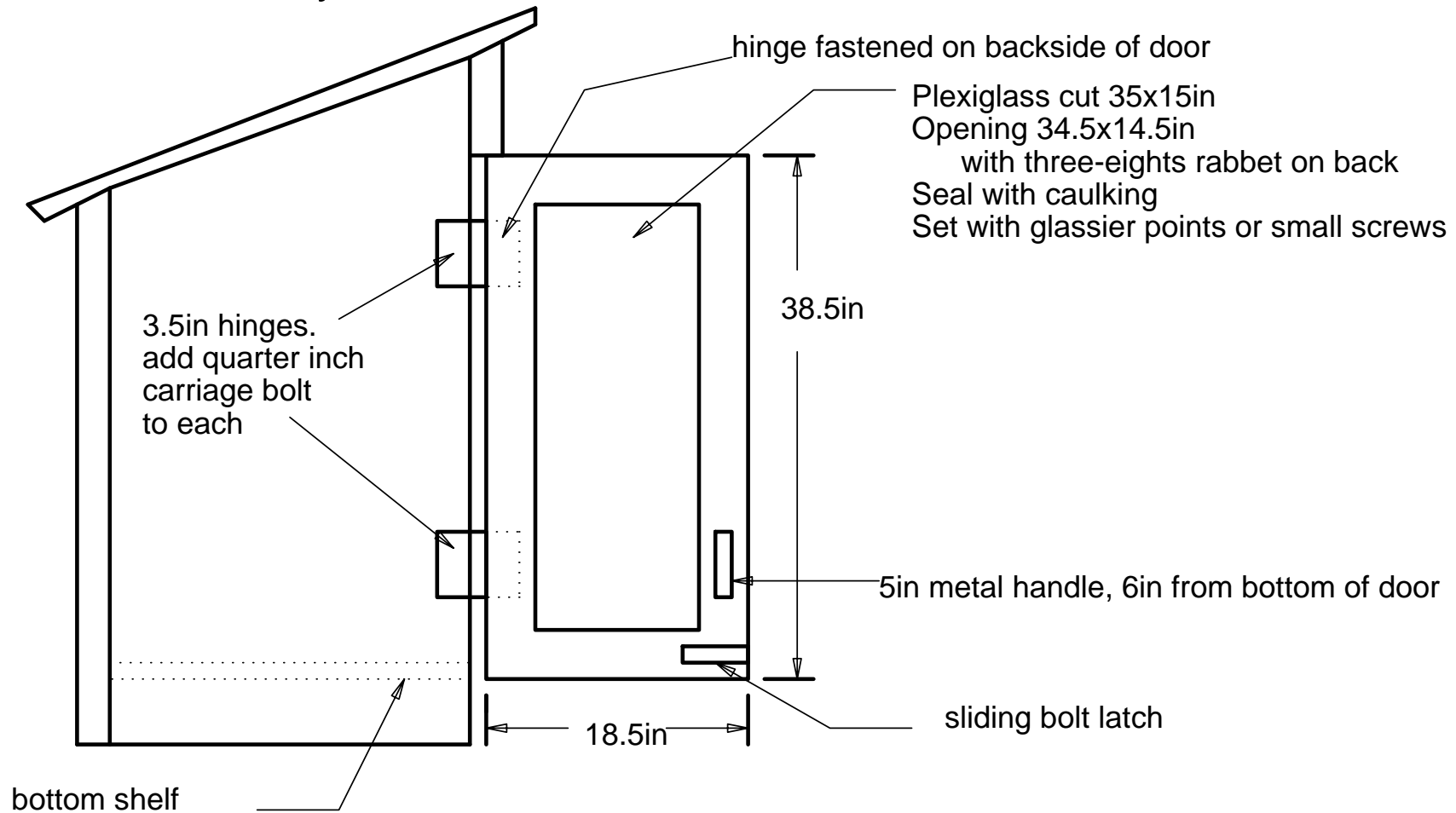
4 lag bolts or structural screws to fasten pantry to frame

14 feet of aluminum roofing starter strip

Foam weather stripping for the doors

2 plastic flat door sweeps 36 inch long, backstops for doors

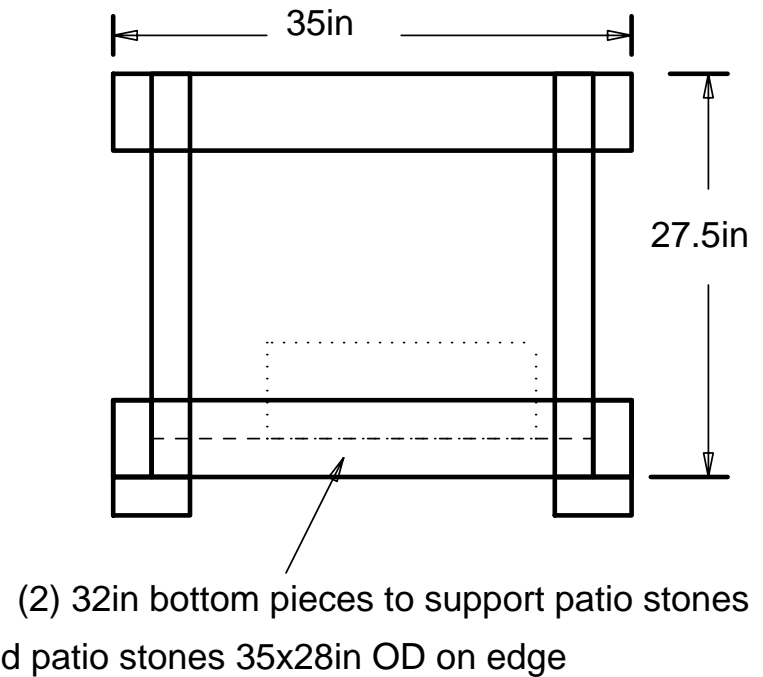
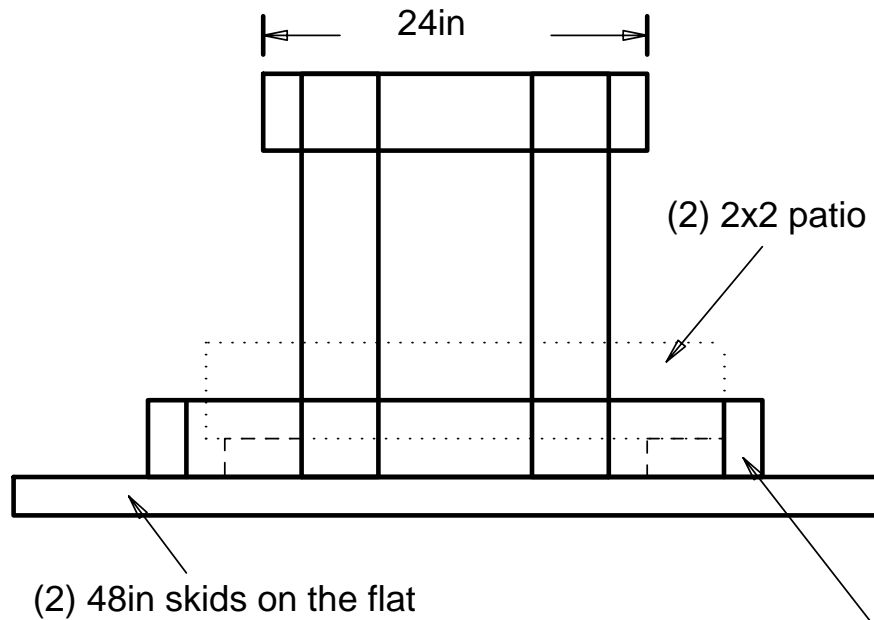
# AOK Food Pantry Double Doors



Suggest use 1.5in flat door sweep weather strip behind top front panel  
And on center edge of one of the doors  
Foam weather strip in back side edges of doors  
Use 20-lb magnets to help hold doors closed (Home Hardware)  
Use 11in of light flat safety chain at bottoms of doors

# AOK Food Pantry Support Frame

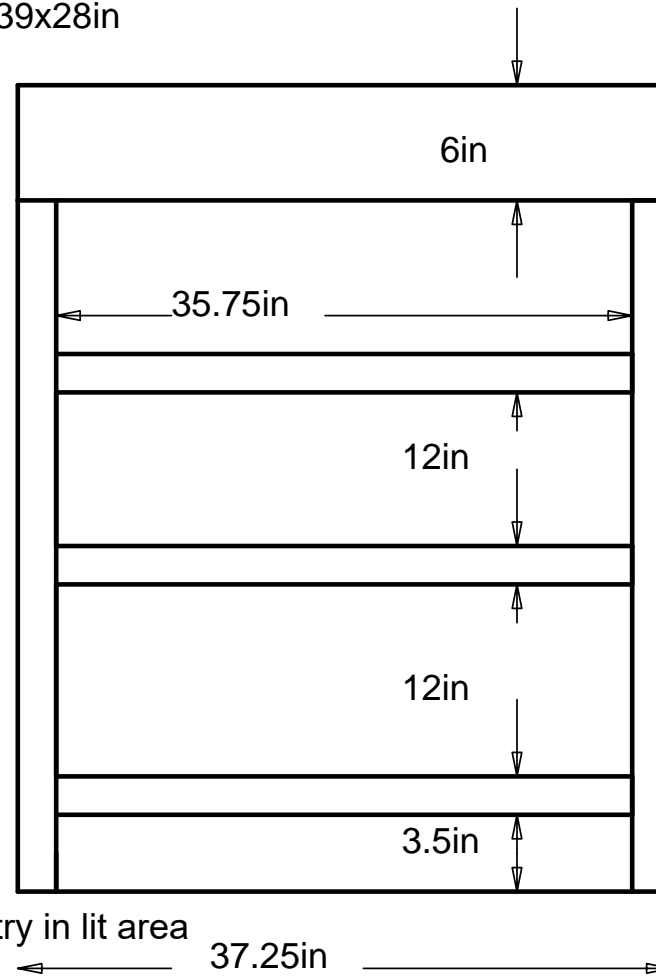
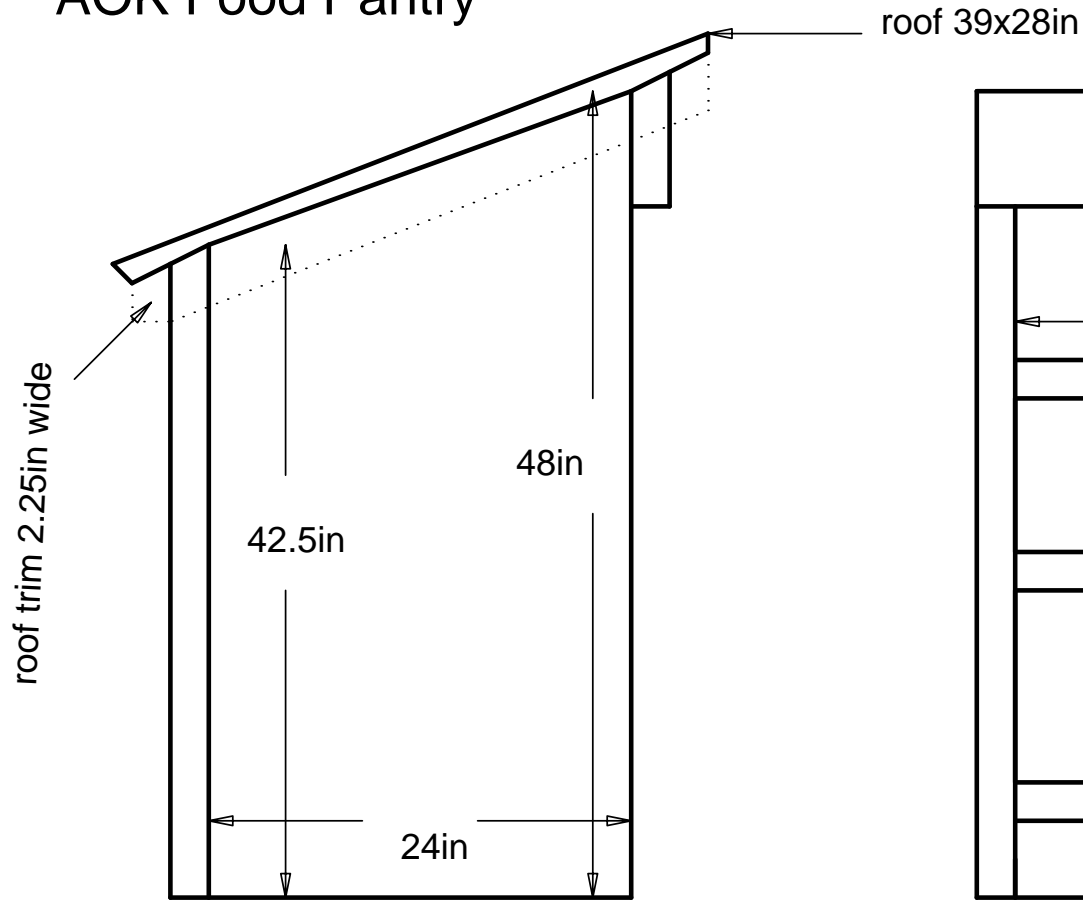
Frame made with 2x4 material



Add bracing where necessary to stiffen frame  
Sand all edges, remove splinters  
Paint frame white  
When complete set box over frame  
Bolt or screw in place  
Make sure solar panel faces the noontime sun

Drawn by Ron Oxner

# AOK Food Pantry



Lighting optional - can use shorter light kit - or place pantry in lit area

Run 50ft solar light kit through the roof  
 Attach 5 zigzag runs on underside of roof  
 and top two shelves  
 Seal around tube going through the roof

Use starter strip around roof  
 Seal roof with cool gray or similar material  
 Shingle with 5 asphalt shingles  
 Stick down with roofing cement  
 Cut off any protruding roofing nails

box and shelves of 0.75in plywood  
 cut off back corners of two upper  
 shelves for wiring  
 paint shelves and interior white  
 paint exterior kubota orange

Glue and screw all pieces together  
 Sand all surfaces and edges  
 Remove all splinters and protruding nails

Drawn by Ron Oxner